



Power relay 15

V23008/V23009

for direct or alternating current, neutral, monostable

- High switching capacity
- Mechanical and electrical characteristics comply with the "Rules for Electrical Relays in Power Installations" (VDE 0435/9.72) and the "Safe Electrical Separation of Telecommunication and Power Circuits" (VDE 0804)
- Air gap $\geq 3\text{mm}$, creepage distance $\geq 4\text{mm}$
- Connection types: Plug-in

Contact data	for direct current		for alternating current	
Product code Block 3	A051	A052	A100	A101
Contact material	Silver	Silver-Nickel	Silver	Silver-Nickel
Contact type	2 or 3 changeover contacts			
Rated power	2 W		Approximately 5.3 W during switch-on; approximately 3.4 W after switch-on	
Max. switching voltage	300VDC 250VAC		300VDC 250VAC	
Max. switching current <small>(max. 4s up to a relative duty cycle of 10%)</small>	40A		20A	
Continuous current rating	15A		8A	
Max. switching power DC voltage <small>(values apply to resistive load or to inductive loads with appropriate spark suppression)</small>	up to 24V : 360 W	up to 40V : 140W	up to 60V : 80W	up to 250V: 100W
Max. switching power AC voltage	10kVA		5kVA	
Operating frequency	10 ops./s		5 ops./s	
Mechanical lifespan	approximately 10^7 ops.		approximately 10^7 ops.	

Coil data (V23008)	
Magnetic system	neutral
Coil voltage range	6 ... 220 VDC
Maximum coil temperature	100 °C
Thermal resistance	< 10K/W

Coil data (V23009)	
Magnetic system	neutral
Coil voltage range	6 ... 220 VDC
Maximum coil temperature	100 °C
Thermal resistance	< 15K/W

Coil variants, AC coil, monostable

Coil Nr.	rated voltage VAC	Winding	Coil Resistance at 20°C Ω
011	6	410	1,6 ± 0,13
012	12	808	6,1 ± 0,49
005	24	1580	22 ± 1,8
022	42	2760	76 ± 6
025	60	3980	177 ± 14
015	120	7570	620 ± 50
002	230	15800	2900 ± 230

Coil variants, DC coil, monostable

Coil Nr.	rated voltage VDC	Winding	Coil Resistance at 20°C Ω
005	6	1580	22 ± 1,8
006	12	2930	85 ± 7
007	24	5160	300 ± 24
001	48	9550	1000 ± 80
008	60	14070	2100 ± 170
009	110	22000	5300 ± 424
010	220	42000	20400 ± 2040

Isolation data

Test voltage 1 minute

winding / frame	2500V _{eff}
contact / contact	2500V _{eff}
contact / frame	2500V _{eff}

Other data

Material compliance: EU RoHS/ELV, China RoHS, REACH

Ambient temperature -45 to +65°C

Protection class DIN 40050 Dust protected IP 30,

Types of connections With flat plug, suitable for sleeve connector 6,3mm

Power relay 15

V23008/V23009

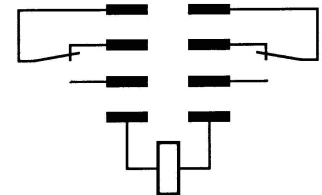
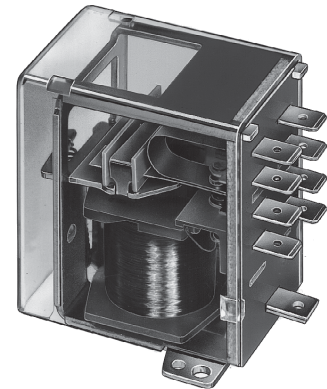
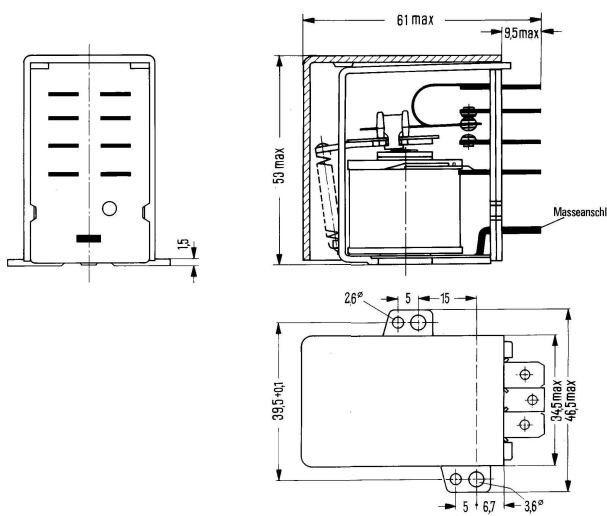
V23008-A0★★★ for alternating current / **V23009-A0**★★★ for direct current

with 2 changeover contacts

Dust protected

With flat plug, suitable for sleeve connector 6,3mm

For screw mounting



Terminal assignment View of the terminals

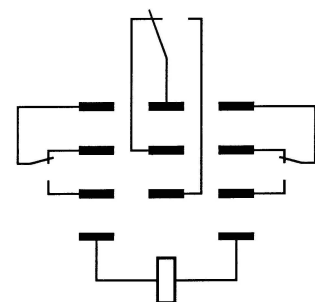
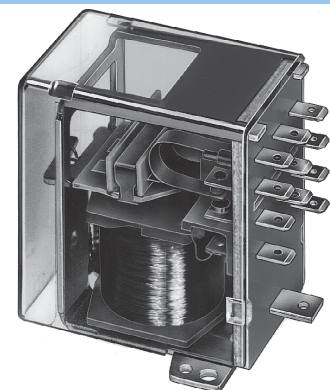
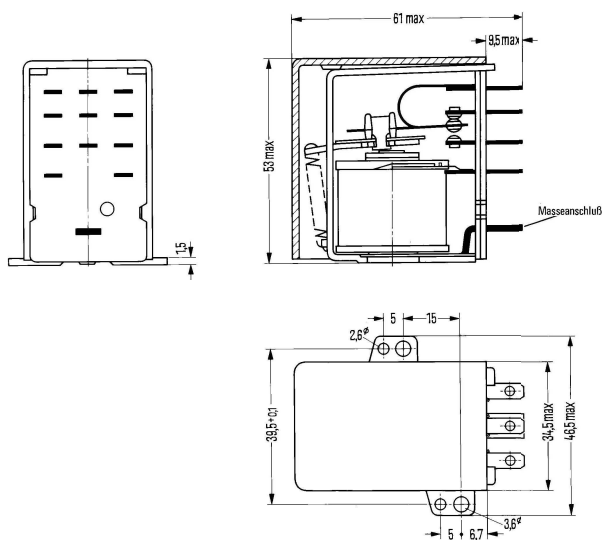
V23008-A0★★★ for alternating current / **V23009-A0**★★★ for direct current

with 3 changeover contacts

Dust protected

With flat plug, suitable for sleeve connector 6,3mm

For screw mounting



Terminal assignment View of the terminals

Power relay 15
V23008/V23009

Product code structure		Typical product code		V23008	-A0	011	-A051
V23008	Power relay 15, alternating current						
V23009	Power relay 15, direct current						
Version							
A0 = without socket labeling							
A1 = with socket labeling							
Coil							
Coil number: Please refer to the coil variants table.							
Contact spring set	A051	2 changeover contacts, silver	A100	3 changeover contacts, silver			
	A052	2 changeover contacts, silver-Nickel	A101	3 changeover contacts, silver-Nickel			

Other types available on request.



Power relay 15 / Schaltrelais 15 V23008/V23009

vertrieb-industrie@ebk-gruppe.com

Nennspannung (nominal voltage) Unenn VDC	Betriebsspannungsbereich (operating voltage range)		Spulenleistung (coil power) W	Spulenwiderstand (coil resistance) $\Omega \pm 8\%$	Relais Teilenummer (relay code)
	Min. Spannung (voltage) Umin VDC	Max. Spannung (voltage) Umax VDC			

Spulendaten (Werte bei 20 °C) coil data (values at 20°C)

24	17	35	4,0	300	V23009A1007A101
110	70	146	4,0	5300	V23009A1009A052
60	44	92	4,0	2100	V23009A0008A101
24	17	35	4,0	300	V23009A0007A051
24	17	35	4,0	300	V23009A0007A052
24	17	35	4,0	300	V23009A0007A101
120	91	156	7,5	620	V23008A0015A101
12	9	18	4,0	85	V23009A0006A052
60	44	92	4,0	2100	V23009A0008A052
12	9	18	4,0	85	V23009A0006A101
24	17	35	4,0	300	V23009A0007A100
230	182	299	7,5	2900	V23008A0002A101
110	70	146	4,0	5300	V23009A0009A101

Andere Typen auf Anfrage.
(Other types available on request.)